

Versatile Process Analysis

One device – all parameters – all sensors

One device for pH, ORP, conductivity and oxygen

Stratos Evo is the latest evolutionary stage of analyzers. The 4-wire multi-parameter device for measuring pH value, ORP, conductivity (conductive or inductive) or dissolved oxygen. The high-performance High power broad-range power supply allows the operation with optical oxygen sensors.

Digital platform

The fully digital functionality eliminates interferences such as might occur with analog devices.

When using analog sensors, the device automatically recognizes the parameter as soon as the measuring module is inserted.

Power supply for external 2-wire transmitters

The high power supply offers another advantage thanks to the option of also supplying external 2-wire transmitters, for example pressure or flow transmitters. The respective signal can be displayed and processed via the 4...20mA input.

Signaling operating states by a multi-color backlit display

Stratos Evo features intuitive operation with color-coded user guidance. The widescreen display with six different colors indicates the respective operating states: normal measuring mode is backlit in white while information mode displays are illuminated in green. The diagnostics menu, maintenance request and the hold mode are each indicated by unique colors. Deep red indicates the alarm status and a red flashing display points out invalid input or incorrect passcodes.

Concise, self-explanatory icons provide an easy overview.

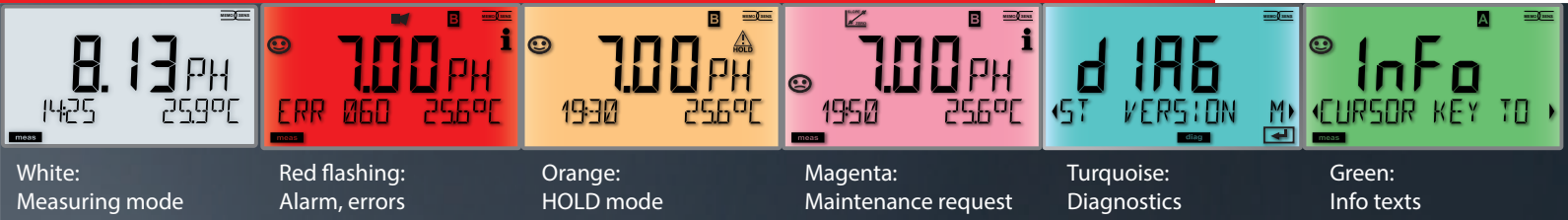
Explosion protection Zone 2 (ATEX, IECEx)

The device can be used in hazardous areas of Ex Zone 2.

Facts and features

- Comprehensive features and flexibility enable universal application.
- One device for pH/ORP, conductivity or oxygen (configurable)
- Operation of Memosens sensors
- Interchangeable modules for operation with conventional analog sensors
- High power supply for operating digital optical oxygen sensors
- Power supply and signal processing for external 2-wire transmitters (pressure, temperature)
- A multi-color backlit display signals operating states
- Approved for Ex Zone 2 (IECEx, ATEX)
- HART
- Global use thanks to broad-range power supply





White:
Measuring mode

Red flashing:
Alarm, errors

Orange:
HOLD mode

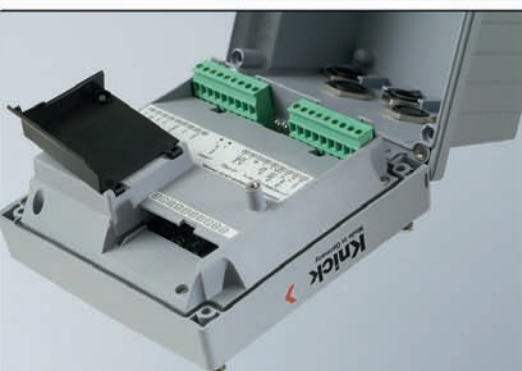
Magenta:
Maintenance request

Turquoise:
Diagnostics

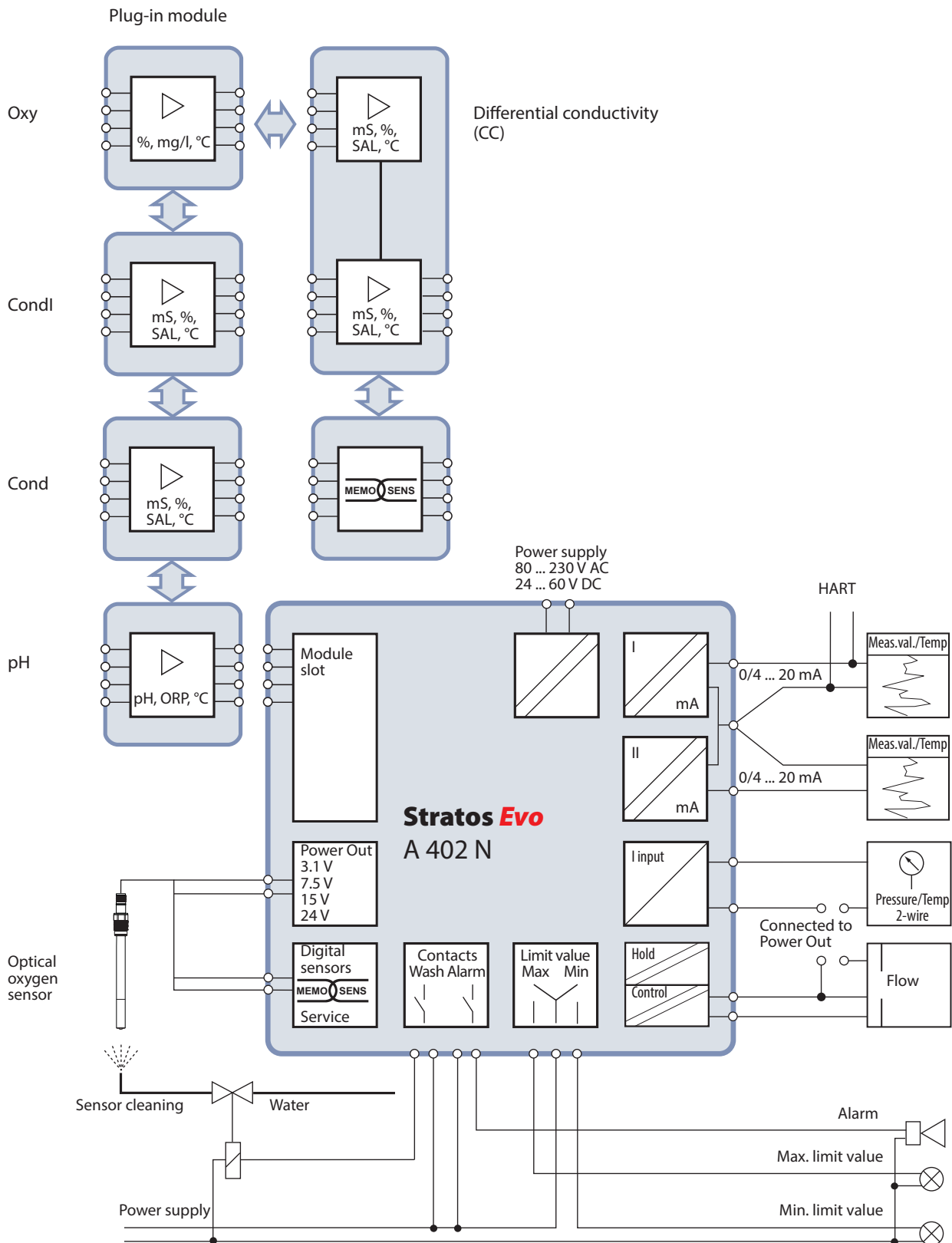
Green:
Info texts



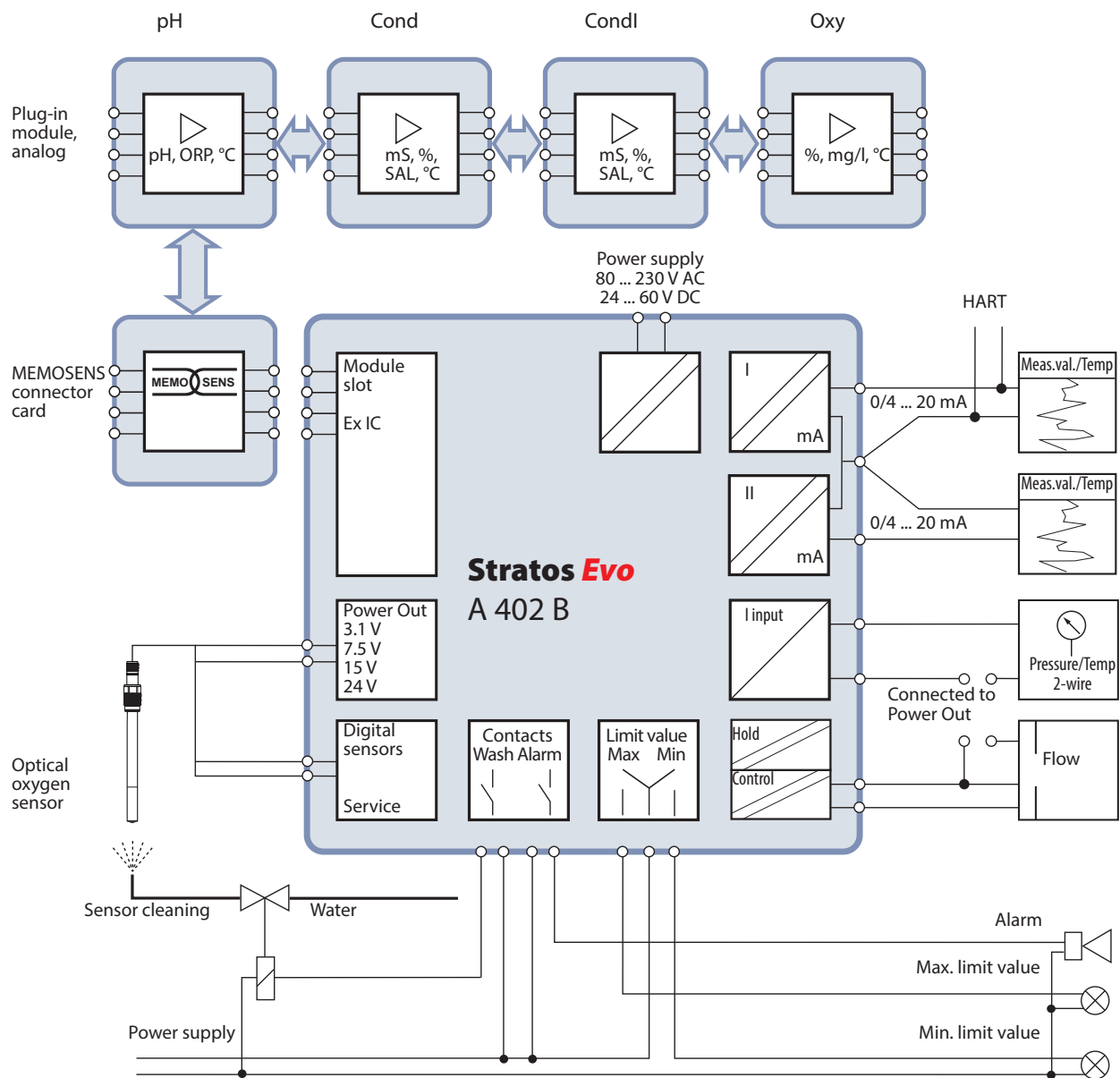
Optical
oxygen
sensor



Wiring example (non-Ex)



Wiring example (Ex Zone 2)



Product Range

Stratos Evo

Stratos Evo 4-wire, multiparameter, digital basic unit
 Stratos Evo 4-wire, multiparameter, digital, Ex Zone 2

Order No.

A402N
 A402B

Stratos Evo analog measuring modules

pH/ORP module
 pH-/ORP module, Ex Zone 2

MK-PH 015N
 MK-PH 015B

COND module
 COND module, Ex Zone 2

MK-COND 025N
 MK-COND 025B

CONDI module
 CONDI module, Ex Zone 2

MK-CONDI 035N
 MK-CONDI 035B

OXY module
 OXY module, Ex Zone 2

MK-OXY 045N
 MK-OXY 045B

Stratos Evo 2-channel modules, analog

COND/COND module

MK-CC 065N

Stratos Evo 2-channel modules, Memosens

Memosens module, 2nd channel (pH/pH, pH/OXY)

MK-MS 095N

Accessories

Pipe-mount kit
 Panel-mount kit
 Protective hood

ZU 0274
 ZU 0738
 ZU 0737

TAN options

HART (for retrofitting devices without communication)
 Logbook
 Extended logbook (Audit Trail)
 Trace-oxygen measurement
 Current input and 2 digital inputs
 ISM digital (for pH and oxygen measuring channels)
 Operation with Pfudler pH sensors

SW-A001
 SW-A002
 SW-A003
 SW-A004
 SW-A005
 SW-A006
 SW-A007

New England - ETA Process Instrumentation
 119 Foster Street, Bldg #6
 Peabody, MA 01960
 Tel: (978) 532-1330
www.etapii.com
sales@etapii.com

Upstate NY - Martech Controls
 2000 Teall Avenue
 Syracuse, NY 13026
 Tel: (315) 876-9120
www.martechcontrols.com
sales@martechcontrols.com

Specifications

Sensor input, digital

pH sensor standardization^{*)}

Operating modes

Calimatic buffer sets^{*)}

ORP sensor standardization^{*)}

Adaptive calibration timer

Sensocheck

Sensoface

Sensor monitor

TC of process medium^{*)}

"Device Type" pH

Memosens pH or ORP sensors

Display range	pH value	-2.00 ... 16.00
	ORP	-1999 ... 1999 mV
	Temperature	-20.0 ... 200.0 °C (-4 ... + 392 °F)

Measurement error See sensor specifications

pH calibration

AUTO – Calibration with automatic buffer recognition (Calimatic)

MAN – Manual calibration with input of individual buffer values

DAT – Data entry of premeasured electrodes

Product calibration

-01– Mettler-Toledo	2.00/4.01/7.00/9.21
-02– Knick CaliMat	2.00/4.00/7.00/9.00/12.00
-03– Ciba (94)	2.06/4.00/7.00/10.00
-04– NIST technical	1.68/4.00/7.00/10.01/12.46
-05– NIST standard	1.679/4.006/6.865/9.180
-06– HACH	4.01/7.00/10.01
-07– WTW techn. buffers	2.00/4.01/7.00/10.00
-08– Hamilton	4.01/7.00/10.01/12.00
-09– Reagecon	2.00/4.00/7.00/9.00/12.00
-10– DIN 19267	1.09/4.65/6.79/9.23/12.75

-U1– User defined

Specifiable buffer set with 2 buffer solutions

Max. calibration range

Asymmetry potential	±60 mV
	(±750 mV for Memosens ISFET)
Slope	80 ... 103 % (47.5 ... 61 mV/pH)

Extended calibration range Operation with Pfaudler sensors (SW-A007)

ORP calibration (zero adjustment)

Max. calibration range -700 ... +700 ΔmV

Interval 0 ... 9999 h

Automatic monitoring of glass electrode

Delay Approx. 30 s

Provides information on the sensor condition (can be switched off)

Evaluation of zero/slope, response, calibration interval, Sensocheck, wear

Direct display of measured values from sensor for validation (mV/temperature)

Linear -19.99 ... +19.99 %/K, ultrapure water, reference temp 25 °C

Table: 0 ... 95 °C, user-defined in 5-K steps

^{*)} user-defined

Digital Oxygen Measurement

Specifications

Sensor input, digital	Memosens oxygen sensors or digital optical sensors (SE 740)	
	Operating modes	GAS (measurement in gases) DO (measurement in liquids)
Measuring ranges	Standard sensors Saturation (-10 ... 80°C) 0.0 ... 600.0 % Concentration (-10 ... 80°C) 0.00 ... 99.99 mg/l (ppm) Volume concentration in gas 0.00 ... 99.99 %vol Trace sensors (TAN SW-A004) Saturation (-10 ... 80°C) 0.000 ... 150.0 % Concentration (-10 ... 80°C) 0000 ... 9999 µg/l (ppb) / 10.00 ... 20.00 mg/l (ppm) Volume concentration in gas 0000 ... 9999 ppm / 1.000 ... 50.00 %vol Measurement error See sensor specifications	
Input correction ^{*)}	Pressure correction	0.000 ... 9.999 bars / 999.9 kPa / 145.0 PSI manually or through current input 0(4) ... 20 mA
	Salinity correction	0.0 ... 45.0 g/kg
Sensor standardization ^{*)}	CAL_AIR	Automatic calibration in air
	CAL_WTR	Automatic calibration in air-saturated water
	P_CAL	Product calibration
	CAL_ZERO	Zero calibration
Calibration ranges	Standard sensors Zero point ± 2 nA Slope 25 ... 130 nA (at 25°C, 1013 mbars) Trace sensors Zero point ± 2 nA Slope 200 ... 550 nA (at 25°C, 1013 mbars) SE 740 optical oxygen sensor Zero point Phase shift 62 ... 75 deg Slope Stern-Volmer constant 0.01 ... 0.035 Calibration timer ^{*)} Interval 0 ... 9999 h Pressure correction ^{*)} Manual 0.000 ... 9.999 bars / 999.9 kPa / 145.0 PSI	
Sensocheck	Sensor failure, sensor cap missing Delay Approx. 30 s	
Sensoface	Provides information on the sensor condition (can be switched off) Evaluation of zero/slope, response, calibration interval, wear, Sensocheck	
Sensor monitor	Direct display of measured values from sensor for validation: sensor current or oxygen partial pressure / temperature	

^{*)} user-defined

Specifications

Sensor input, digital
Display ranges

Measuring ranges

Temperature compensation*)

Concentration determination*)

USP <645> function

Sensor standardization

Sensocheck

Sensoface

Sensor monitor

"Device Type" Cond

Memosens conductivity sensors

Conductivity	0.000 ... 9.999 $\mu\text{S/cm}$ 00.00 ... 99.99 $\mu\text{S/cm}$ 000.0 ... 999.9 $\mu\text{S/cm}$ 0000 ... 9999 $\mu\text{S/cm}$ 0.000 ... 9.999 mS/cm 00.00 ... 99.99 mS/cm 000.0 ... 999.9 mS/cm 0.000 ... 9.999 S/cm 00.00 ... 99.99 S/cm
Resistivity	00.00 ... 99.99 $\text{M}\Omega \cdot \text{cm}$
Concentration	0.00 ... 100 %
Salinity	0.0 ... 45.0 ‰
Measurement error	See sensor specifications

See Memosens sensor

(OFF)	Without
(LIN) Ref. temp specifiable	Linear characteristic 00.00 ... 19.99 %/K
(NLF) Reference temp 25 °C	Natural waters to EN 27888
(NaCl) Reference temp 25 °C	NaCl from 0 (ultrapure water) to 26% by wt
(HCl) Reference temp 25 °C	Ultrapure water with HCl traces (0 ... 120 °C)
(NH ₃) Reference temp 25 °C	Ultrapure water with NH ₃ traces (0... 120 °C)
(NaOH) Reference temp 25 °C	Ultrapure water with NaOH traces (0 ... 120 °C)
-01- NaCl	0.00 ... 9.99 % by wt (0 ... 100 °C)
-02- HCl	0.00 ... 9.99 % by wt (-20 ... 50 °C)
-03- NaOH	0.00 ... 9.99 % by wt (0 ... 100 °C)
-04- H ₂ SO ₄	0.00 ... 9.99 % by wt (-17 ... 110 °C)
-05- HNO ₃	0.00 ... 9.99 % by wt (-17 ... 50 °C)

Water monitoring in the pharmaceutical industry (USP)
with possibility to enter a limit value (%)

Output via relay contact or HART

- Input of cell constant with simultaneous display of conductivity/temp.
- Input of cal. solution conductivity with simultaneous display of cell constant/temp.
- Product calibration for conductivity
- Temp probe adjustment (10 K)

Permissible cell constant 0.0050 ... 19.9999/cm

Polarization detection

Delay Approx. 30 s

Provides information on the sensor condition

Direct display of measured values from sensor for validation
(resistance/temperature)

*) user-defined

Specifications	"Device Type" Condi																								
Sensor input, digital	Digital toroidal conductivity sensors (SE 670 / SE 680)																								
Measuring ranges	<table border="0"> <tr> <td>Conductivity</td> <td>0.000 ... 1999 mS/cm</td> </tr> <tr> <td>Concentration</td> <td>0.00 ... 100.0 % by wt</td> </tr> <tr> <td>Salinity</td> <td>0.0 ... 45.0 ‰ (0 ... 35 °C)</td> </tr> </table>	Conductivity	0.000 ... 1999 mS/cm	Concentration	0.00 ... 100.0 % by wt	Salinity	0.0 ... 45.0 ‰ (0 ... 35 °C)																		
Conductivity	0.000 ... 1999 mS/cm																								
Concentration	0.00 ... 100.0 % by wt																								
Salinity	0.0 ... 45.0 ‰ (0 ... 35 °C)																								
Measuring ranges	<table border="0"> <tr> <td>Conductivity</td> <td>0.000 ... 9.999 mS/cm</td> </tr> <tr> <td></td> <td>00.00 ... 99.99 mS/cm</td> </tr> <tr> <td></td> <td>000.0 ... 999.9 mS/cm</td> </tr> <tr> <td></td> <td>0000 ... 1999 mS/cm</td> </tr> <tr> <td></td> <td>0.000 ... 9.999 S/m</td> </tr> <tr> <td></td> <td>00.00 ... 99.99 S/m</td> </tr> <tr> <td>Concentration</td> <td>0.00 ... 9.99 % / 10.0 ... 100.0 %</td> </tr> <tr> <td>Salinity</td> <td>0.0 ... 45.0 ‰ (0 ... 35 °C)</td> </tr> <tr> <td>Response (T90)</td> <td>Approx. 1 s</td> </tr> <tr> <td>Temperature</td> <td>-20 ... +150 °C (-4 ... +302 °F)</td> </tr> <tr> <td>Temperature extrapolation</td> <td>Quick extrapolation of the temperature using the TICK method in the case of a significant change (SE 670 / SE 680)</td> </tr> <tr> <td>Measurement error</td> <td>See sensor specifications</td> </tr> </table>	Conductivity	0.000 ... 9.999 mS/cm		00.00 ... 99.99 mS/cm		000.0 ... 999.9 mS/cm		0000 ... 1999 mS/cm		0.000 ... 9.999 S/m		00.00 ... 99.99 S/m	Concentration	0.00 ... 9.99 % / 10.0 ... 100.0 %	Salinity	0.0 ... 45.0 ‰ (0 ... 35 °C)	Response (T90)	Approx. 1 s	Temperature	-20 ... +150 °C (-4 ... +302 °F)	Temperature extrapolation	Quick extrapolation of the temperature using the TICK method in the case of a significant change (SE 670 / SE 680)	Measurement error	See sensor specifications
Conductivity	0.000 ... 9.999 mS/cm																								
	00.00 ... 99.99 mS/cm																								
	000.0 ... 999.9 mS/cm																								
	0000 ... 1999 mS/cm																								
	0.000 ... 9.999 S/m																								
	00.00 ... 99.99 S/m																								
Concentration	0.00 ... 9.99 % / 10.0 ... 100.0 %																								
Salinity	0.0 ... 45.0 ‰ (0 ... 35 °C)																								
Response (T90)	Approx. 1 s																								
Temperature	-20 ... +150 °C (-4 ... +302 °F)																								
Temperature extrapolation	Quick extrapolation of the temperature using the TICK method in the case of a significant change (SE 670 / SE 680)																								
Measurement error	See sensor specifications																								
Temperature compensation*)	<table border="0"> <tr> <td>(OFF)</td> <td>Without</td> </tr> <tr> <td>(Lin)</td> <td>Linear characteristic 00.00 to 19.99 %/K</td> </tr> <tr> <td>(NLF)</td> <td>Natural waters to EN 27888</td> </tr> <tr> <td>(NaCl)</td> <td>NaCl from 0 to 26 % by wt (0 ... 120 °C)</td> </tr> </table>	(OFF)	Without	(Lin)	Linear characteristic 00.00 to 19.99 %/K	(NLF)	Natural waters to EN 27888	(NaCl)	NaCl from 0 to 26 % by wt (0 ... 120 °C)																
(OFF)	Without																								
(Lin)	Linear characteristic 00.00 to 19.99 %/K																								
(NLF)	Natural waters to EN 27888																								
(NaCl)	NaCl from 0 to 26 % by wt (0 ... 120 °C)																								
Concentration determination*)	<table border="0"> <tr> <td>-01- NaCl</td> <td>0 – 26 % by wt (0 °C) ... 0 – 28% by wt (100 °C)</td> </tr> <tr> <td>-02- HCl</td> <td>0 – 18 % by wt (-20 °C) ... 0 – 18% by wt (50 °C)</td> </tr> <tr> <td>-03- NaOH</td> <td>0 – 13 % by wt (0 °C) ... 0 – 24% by wt (100 °C)</td> </tr> <tr> <td>-04- H₂SO₄</td> <td>0 – 26 % by wt (-17 °C) ... 0 – 37% by wt (110 °C)</td> </tr> <tr> <td>-05- HNO₃</td> <td>0 – 30 % by wt (-20 °C) ... 0 – 30% by wt (50 °C)</td> </tr> <tr> <td>-06- H₂SO₄</td> <td>94 – 99 % by wt (-17 °C) ... 89 – 99% by wt (115 °C)</td> </tr> <tr> <td>-07- HCl</td> <td>22 – 39 % by wt (-20 °C) ... 22 – 39% by wt (50 °C)</td> </tr> <tr> <td>-08- HNO₃</td> <td>35 – 96 % by wt (-20 °C) ... 35 – 96% by wt (50 °C)</td> </tr> <tr> <td>-09- H₂SO₄</td> <td>28 – 88 % by wt (-17 °C) ... 39 – 88% by wt (115 °C)</td> </tr> <tr> <td>-10- NaOH</td> <td>15 – 50 % by wt (0 °C) ... 35 – 50% by wt (100 °C)</td> </tr> </table>	-01- NaCl	0 – 26 % by wt (0 °C) ... 0 – 28% by wt (100 °C)	-02- HCl	0 – 18 % by wt (-20 °C) ... 0 – 18% by wt (50 °C)	-03- NaOH	0 – 13 % by wt (0 °C) ... 0 – 24% by wt (100 °C)	-04- H ₂ SO ₄	0 – 26 % by wt (-17 °C) ... 0 – 37% by wt (110 °C)	-05- HNO ₃	0 – 30 % by wt (-20 °C) ... 0 – 30% by wt (50 °C)	-06- H ₂ SO ₄	94 – 99 % by wt (-17 °C) ... 89 – 99% by wt (115 °C)	-07- HCl	22 – 39 % by wt (-20 °C) ... 22 – 39% by wt (50 °C)	-08- HNO ₃	35 – 96 % by wt (-20 °C) ... 35 – 96% by wt (50 °C)	-09- H ₂ SO ₄	28 – 88 % by wt (-17 °C) ... 39 – 88% by wt (115 °C)	-10- NaOH	15 – 50 % by wt (0 °C) ... 35 – 50% by wt (100 °C)				
-01- NaCl	0 – 26 % by wt (0 °C) ... 0 – 28% by wt (100 °C)																								
-02- HCl	0 – 18 % by wt (-20 °C) ... 0 – 18% by wt (50 °C)																								
-03- NaOH	0 – 13 % by wt (0 °C) ... 0 – 24% by wt (100 °C)																								
-04- H ₂ SO ₄	0 – 26 % by wt (-17 °C) ... 0 – 37% by wt (110 °C)																								
-05- HNO ₃	0 – 30 % by wt (-20 °C) ... 0 – 30% by wt (50 °C)																								
-06- H ₂ SO ₄	94 – 99 % by wt (-17 °C) ... 89 – 99% by wt (115 °C)																								
-07- HCl	22 – 39 % by wt (-20 °C) ... 22 – 39% by wt (50 °C)																								
-08- HNO ₃	35 – 96 % by wt (-20 °C) ... 35 – 96% by wt (50 °C)																								
-09- H ₂ SO ₄	28 – 88 % by wt (-17 °C) ... 39 – 88% by wt (115 °C)																								
-10- NaOH	15 – 50 % by wt (0 °C) ... 35 – 50% by wt (100 °C)																								
Sensor standardization	<ul style="list-style-type: none"> - Input of cell factor with simultaneous display of conductivity/temperature - Input of cal. solution conductivity with simultaneous display of cell factor/temp. - Product calibration - Zero adjustment - Installation factor - Temp probe adjustment (10 K) <table border="0"> <tr> <td>Permissible cell factor</td> <td>00.100 ... 19.999/cm</td> </tr> <tr> <td>Permissible transfer ratio</td> <td>010.0 ... 199.9</td> </tr> <tr> <td>Permissible zero offset</td> <td>±0.5 mS/cm</td> </tr> <tr> <td>Permissible installation factor</td> <td>0.100 ... 5.000</td> </tr> </table>	Permissible cell factor	00.100 ... 19.999/cm	Permissible transfer ratio	010.0 ... 199.9	Permissible zero offset	±0.5 mS/cm	Permissible installation factor	0.100 ... 5.000																
Permissible cell factor	00.100 ... 19.999/cm																								
Permissible transfer ratio	010.0 ... 199.9																								
Permissible zero offset	±0.5 mS/cm																								
Permissible installation factor	0.100 ... 5.000																								
Sensocheck	Monitoring of primary and secondary coils and lines for open circuit and of primary coil and lines for short circuit																								
	Delay Approx. 30 s																								
Sensoface	Provides information on the sensor condition (zero point, cell factor, installation factor, Sensocheck)																								
Sensor monitor	Direct display of measured values from sensor for validation (resistance/temperature)																								

*) user-defined

Specifications

I input (SW-A005)	0/4 ... 20 mA / 50 Ω	
	Function	Input of pressure or temperature values from external sensors
	Resolution	Approx. 0.05 mA
	Characteristic	Linear, with conductivity measurement also bilinear or logarithmic
	Measurement error ¹⁾	< 1% current value + 0.1 mA
Door contact	Outputs a signal when the door is open Entry to extended logbook (FDA)	
HOLD input (SW-A005)	Galvanically separated (OPTO coupler)	
	Function	Switches device to HOLD mode
	Switching voltage	0 ... 2 V (AC/DC) HOLD inactive 10 ... 30 V (AC/DC) HOLD active
CONTROL input ^{*)} (SW-A005)	Galvanically separated (OPTO coupler)	
	Function	Selecting parameter set A/B or flow measurement (FLOW)
	Switching voltage	0 ... 2 V (AC/DC) Parameter set A 10 ... 30 V (AC/DC) Parameter set B
	FLOW	Pulse input for flow measurement 0 ... 100 pulses/sec
	Display	00.0 ... 99.9 l/h
	Output 1	0/4 ... 20 mA, max. 10 V, floating (galvanically connected to output 2)
Overrange ^{*)}		22 mA in the case of error messages
Characteristic		Linear, with conductivity measurement also bilinear or logarithmic
Output filter ^{*)}		PT ₁ filter, time constant 0 ... 120 s
Measurement error ¹⁾		< 0.25% current value + 0.025 mA
Start/end of scale ^{*)}		Configurable within the measuring range of the selected process variable
Output 2		0/4 ... 20 mA, max. 10 V, floating (galvanically connected to output 1)
	Overrange ^{*)}	22 mA in the case of error messages
	Characteristic	Linear, with conductivity measurement also bilinear or logarithmic
	Output filter ^{*)}	PT ₁ filter, time constant 0 ... 120 s
	Measurement error ¹⁾	< 0.25% current value + 0.025 mA
	Start/end of scale ^{*)}	Configurable within the measuring range of the selected process variable
	Power Out	Output for operating optical sensors (SE 740) oder supplying additional temperature or pressure transmitters (signal evaluation via I input)
Power supply		selectable between 3.1 V / 12 V / 15 V / 24 V, short-circuit-proof (for SE 740 fixed to 15 V)
Power		max. 1 W
Alarm contact	Relay contact, floating	
	Contact ratings	AC < 250 V / < 3 A / < 750 VA DC < 30 V / < 3 A / < 90 W
	Contact response	N/C (fail-safe type)
	Response delay ^{*)}	0 ... 600 s

Wash contact or parameter set A/B:	Relay contact, floating
	Contact ratings AC < 250 V / < 3 A / < 750 VA DC < 30 V / < 3 A / < 90 W
	Contact response*) N/C or N/O
	Wash contact*) Interval 0.0 ... 999.9 h (0.0 h = cleaning function switched off) Cleaning 0 ... 1999 s
	Parameter set A/B Signaling parameter set A/B
	Contact response Contact open: Parameter set A active Contact closed: Parameter set B active
Min/max limits	Min/max contacts, floating, but inter-connected
	Contact ratings AC < 250 V / < 3 A / < 750 VA DC < 30 V / < 3 A / < 90 W
	Contact response*) N/C or N/O
	Response delay*) 0 ... 9999 s
	Switching points*) As desired within range
	Hysteresis*) User-defined
PID process controller	Output via limit contacts
	Setpoint specification*) Within selected range
	Neutral zone pH*) pH 0 ... 5 / 0 ... 500 mV / 0 ... 50 K
	Neutral zone Cond / Condl*) Max. 50 % of selected range / 0 ... 50 K
	Neutral zone Oxy*) 0 ... 25 % / 0 ... 2.5 mg/l (ppm) / 0 ... 2.5 %vol / 0 ... 25 K
	Proportional action*) Controller gain Kp: 10 ... 9999 %
	Integral action*) Reset time Tr: 0 ... 9999 s (0 s = no integral action)
	Derivative action*) Rate time Td: 0 ... 9999 s (0 s = no derivative action)
	Controller type*) Pulse length controller or pulse frequency controller
	Pulse period*) 1 ... 600 s, min. turn-on time 0.5 s (pulse length controller)
	Max. pulse frequency*) 1 ... 180/min (pulse frequency controller)
Real-time clock	Different time and date formats selectable
	Power reserve > 5 days
Display	LC display, 7-segment with icons, colored backlighting
	Main display Character height approx. 22 mm Unit symbols approx. 14 mm
	Secondary display Character height approx. 10 mm
	Text line 14 characters, 14 segments
	Sensoface 3 status indicators (friendly, neutral, sad smiley).
	Mode Indicators meas, cal, conf, diag Further icons for configuration and messages
	Alarm indication Display blinks, red backlighting
Keypad	Buttons meas, info, 4 cursor keys, enter
2 parameter sets	Parameter sets A and B, (not with MK-CC 065 module) switchover via CONTROL input or manual
Diagnostics functions	Calibration data Depending on the selected process variable
	Device self-test Automatic memory test (RAM, FLASH, EEPROM)
	Display test Display of all segments
	Logbook (SW-A002) Recording of events, 100 entries
	Extended logbook Audit trail recording according to 21 CFR Part 11 (SW-A003) 200 entries

HART communication (SW-A001)	Digital communication via FSK modulation of output current 1, HART version 6 Device identification, measured values, status and messages, parameter setting, calibration, records
FDA 21 CFR Part 11	Conditions Output current ≥ 3.8 – load resistance $\geq 250 \Omega$ Access control by editable passcodes Logbook entry and flag via HART in the case of configuration changes Message and logbook entry when enclosure is opened
Service functions	Current source Current specifiable for output 1 / 2 (00.00 ... 22.00 mA) Manual controller Controller output entered directly (start of control process) Sensor monitor Display of direct sensor signals Relay test Manual control of relay contacts Device type Selecting the measuring function (pH, Cond, Condl, Oxy, CC, pH/pH, pH/Oxy)
Data retention	Parameters, calibration data, logbook > 10 years (EEPROM)
Electrical safety	Protection against electric shock by protective separation of all extra-low-voltage circuits against mains according to EN 61010-1
Explosion protection (A402B)	Global: IECEx Zone 2, 22 Europe: ATEX Zone 2, 22
EMC	EN 61326 Emitted interference Class B (residential area) Immunity to interference Industry
RoHS conformity	according to EC directive 2002/95/EC
Power supply	80 V (-15%) ... 230 (+10%) V AC ; ≤ 10 W ; 45 ... 65 Hz 24 V (-15%) ... 60 (+10%) V DC ; 10 W Overvoltage category II, protection class II
Nominal operating conditions	Test voltage 2.5 kV AC Ambient temperature -20 ... +55 °C Transport/Storage temp. -30 ... +70 °C Relative humidity 10 ... 95% not condensing
Housing	Molded enclosure made of PBT/PC, glass-reinforced Mounting Wall, pipe/post or panel mounting Color Gray, RAL 7001 Ingress protection IP 67 / NEMA 4X outdoor (with pressure compensation) Flammability UL 94 V-0 Dimensions H 148 mm, W 148 mm, D 117 mm Control panel cutout 138 mm x 138 mm to DIN 43 700 Weight 1.2 kg Cable glands 3 knockouts for M20 x 1.5 cable glands 2 knockouts for NPT 1/2" or rigid metallic conduit
	Connections Terminals, conductor cross section max. 2.5 mm ²

*) user-defined

1) according to EN 60746-1, at nominal operating conditions

Specifications	"Device Type" pH	A402N + MK-PH 015N A402B + MK-PH 015B
Sensor input, analog	Analog pH and ORP sensors, simultaneous pH and ORP measurement possible	
	Measuring range	-1500 ... +1500 mV
	Display range	pH value -2.00 ... 16.00 ORP -1999 ... 1999 mV
	Glass electrode input ⁴⁾	Input resistance > 1 • 10 ¹² Ω Input current < 1 • 10 ⁻¹² A
	Impedance range	0.5 ... 1000 MΩ (± 20%)
	Reference electrode input ⁴⁾	Input resistance > 1 • 10 ¹⁰ Ω Input current < 1 • 10 ⁻¹⁰ A
	Impedance range	0.5 ... 200 kΩ (± 20%)
	Measurement error ^{1,2,3)}	pH value < 0.02 (TC: 0.002 pH/K) mV value < 1 mV (TC: 0.1 mV/K)
Temperature input ^{*)}	Pt100 / Pt1000 / NTC / Balco ^{*)} , 2-wire connection, adjustable	
	Pt 100/Pt 1000	-20.0 ... +200.0 °C (-4 ... +392 °F)
	NTC 30 kΩ	-20.0 ... +150.0 °C (-4 ... +302 °F)
	NTC 8.55 kΩ	-10.0 ... +130.0 °C (+14 ... +266 °F)
	Balco 3 kΩ	-20.0 ... +130.0 °C (-4 ... +266 °F)
	Adjustment range	10 K
	Resolution	0.1 °C (0.1 °F)
	Measurement error ^{1,2,3)}	<0.5 K (<1 K with Pt100; <1 K with NTC >100°C)
ISM input	"One wire" interface for operation with ISM (digital sensors)	
pH sensor standardization ^{*)}	pH calibration	
Operating modes	AUTO – Calibration with automatic buffer recognition (Calimatic) MAN – Manual calibration with input of individual buffer values DAT – Data entry of premeasured electrodes	
	Product calibration	
Calimatic buffer sets ^{*)}	-01– Mettler-Toledo	2.00/4.01/7.00/9.21
	-02– Knick CaliMat	2.00/4.00/7.00/9.00/12.00
	-03– Ciba (94)	2.06/4.00/7.00/10.00
	-04– NIST technical	1.68/4.00/7.00/10.01/12.46
	-05– NIST standard	1.679/4.006/6.865/9.180
	-06– HACH	4.01/7.00/10.01
	-07– WTW techn. buffers	2.00/4.01/7.00/10.00
	-08– Hamilton	4.01/7.00/10.01/12.00
	-09– Reagecon	2.00/4.00/7.00/9.00/12.00
	-10– DIN 19267	1.09/4.65/6.79/9.23/12.75
	-U1– User defined	Specifiable buffer set with 2 buffer solutions
	Max. calibration range	Asymmetry potential ±60 mV (±750 mV for Memosens ISFET)
		Slope 80 ... 103 % (47.5 ... 61 mV/pH)
	Extended calibration range (SW-A007)	Operation with Pfaudler sensors
ORP sensor standardization ^{*)}	ORP calibration (zero adjustment)	
	Max. calibration range	-700 ... +700 ΔmV
Adaptive calibration timer ^{*)}	Interval 0 ... 9999 h	
Sensocheck	Automatic monitoring of glass and reference electrode	
	Delay	Approx. 30 s
Sensoface	Provides information on the sensor condition (can be switched off) Evaluation of zero/slope, response, calibration interval, Sensocheck, wear (ISM)	

Specifications

Sensor monitor	Direct display of measured values from sensor for validation (mV/temperature)	
TC of process medium*)	Linear	-19.99 ... +19.99 %/K, ultrapure water, ref. temp 25 °C
	Table	0 ... 95 °C, user-defined in 5-K steps
Power output	for operating an ISFET adapter	±3 V / 0.5 mA
Explosion protection (MK-PH015B)	Global:	IECEX Zone 2, 22
	Europe:	ATEX Zone 2, 22

*) user-defined

1) according to EN 60746-1, at nominal operating conditions

2) ± 1 count

3) plus sensor error

4) at room temperature



MK-PH 015 N module (non-Ex)

MK-PH 015 B module (Ex)

Specifications	"Device Type" Oxy
Sensor input	A402N + MK-OXY 045N A402B + MK-OXY 045B
Display ranges	Amperometric oxygen sensors Operating modes GAS (measurement in gases) DO (measurement in liquids)
Input range	Saturation (-10 ... 80°C) 0.0 ... 600.0 % Concentration (-10 ... 80°C) 0.00 ... 99.99 mg/l (ppm) Volume concentration in gas 0.00 ... 99.99 %vol
Measuring ranges*)	Standard sensors "10" Measuring current -600 ... +2 nA Resolution 10 pA Measurement error ^{1,2,3} < 0.5% meas. val. + 0.05 nA + 0.005 nA/K
Temperature input*)	Trace sensors "01" (TAN SW-A004) Measuring current -600 ... +2 nA Resolution 10 pA Measurement error ^{1,2,3} < 0.5% meas. val. + 0.05 nA + 0.005 nA/K
ISM input	Trace sensors "001" (TAN SW-A004) Measuring current -10000 ... +2 nA Resolution 166 pA Measurement error ^{1,2,3} < 0.5% meas. val. + 0.8 nA + 0.008 nA/K
Polarization voltage*)	Standard sensors "10" Saturation (-10 ... 80°C) 0.0 ... 600.0 % Concentration (-10 ... 80°C) 0.00 ... 99.99 mg/l (ppm) Volume concentration in gas 0.00 ... 99.99 %vol
Input correction*)	Trace sensors "01" (TAN SW-A004) Saturation (-10 ... 80°C) 0.000 ... 150.0 % Concentration (-10 ... 80°C) 0000 ... 9999 µg/l (ppb) / 10.00 ... 20.00 mg/l (ppm) Volume concentration in gas 0000 ... 9999 ppm / 1.000 ... 50.00 %vol
Sensor standardization*)	Trace sensors "001" (TAN SW-A004) Saturation (-10 ... 80°C) 0.000 ... 150.0 % Concentration (-10 ... 80°C) 000.0 ... 9999 µg/l (ppb) / 10.00 ... 20.00 mg/l (ppm) Volume concentration in gas 000.0 ... 9999 ppm / 1.000 ... 50.00 %vol
	NTC 22 kΩ / NTC 30 kΩ*) 2-wire connection, adjustable Measuring range -20.0 ... +150.0 °C (-4 ... +302 °F) Adjustment range 10 K Resolution 0.1 °C (0.1 °F) Measurement error ¹ < 0.5 K (< 1 K at > 100 °C)
	"One wire" interface for operation with ISM (digital sensors)
	-400 ... -1000 mV 0 ... -1000 mV (TAN SW-A004) Default -675 mV (resolution < 5 mV) Permissible guard current ≤ 20 µA
	Pressure correction manually or through current input 0(4) ... 20 mA 0.000 ... 9.999 bars / 999.9 kPa / 145.0 PSI
	Salinity correction 0.0 ... 45.0 g/kg
	CAL_AIR Automatic calibration in air CAL_WTR Automatic calibration in air-saturated water P_CAL Product calibration CAL_ZERO Zero calibration

Specifications

Calibration ranges	<p>Standard sensor "10"</p> <p>Zero point ± 2 nA</p> <p>Slope 25 ... 130 nA (at 25°C, 1013 mbars)</p> <p>Trace sensor "01"</p> <p>Zero point ± 2 nA</p> <p>Slope 200 ... 550 nA (at 25°C, 1013 mbars)</p> <p>Trace sensor "001"</p> <p>Zero point ± 3 nA</p> <p>Slope 2000 ... 9000 nA (at 25°C, 1013 mbars)</p>
Calibration timer ^{*)}	Interval 0 ... 9999 h
Sensocheck	Monitoring of membrane and electrolyte and the sensor wires for short circuits or open circuits (can be switched off)
	Delay Approx. 30 s
Sensoface	Provides information on the sensor condition (can be switched off)
Sensor monitor	Evaluation of zero/slope, response, calibration interval, wear, Sensocheck
	Direct display of measured values from sensor for validation (sensor current / temperature)
Explosion protection (MK-OXY045B)	Global: IECEx Zone 2, 22
	Europe: ATEX Zone 2, 22

*) user-defined

1) according to EN 60746-1, at nominal operating conditions

2) ± 1 count

3) plus sensor error



MK-OXY 045 N module (non-Ex)

MK-OXY 045 B module (Ex)

Specifications	“Device Type” Cond	A402N + MK-COND 025N A402B + MK-COND 025B		
Sensor input	Input for 2- or 4-electrode conductivity sensors			
Measuring ranges	2-electrode sensors	0.2 $\mu\text{S} \cdot \text{cm}$... 200 $\text{mS} \cdot \text{cm}$		
	4-electrode sensors	0.2 $\mu\text{S} \cdot \text{cm}$... 1000 $\text{mS} \cdot \text{cm}$ (Conductance limited to 3500 mS)		
Measuring ranges	Conductivity	0.000 ... 9.999 $\mu\text{S}/\text{cm}$		
		00.00 ... 99.99 $\mu\text{S}/\text{cm}$		
		000.0 ... 999.9 $\mu\text{S}/\text{cm}$		
		0000 ... 9999 $\mu\text{S}/\text{cm}$		
		0.000 ... 9.999 mS/cm		
		00.00 ... 99.99 mS/cm		
		000.0 ... 999.9 mS/cm		
		0.000 ... 9.999 S/cm		
		00.00 ... 99.99 S/cm		
		Resistivity	00.00 ... 99.99 $\text{M}\Omega \cdot \text{cm}$	
		Concentration	0.00 ... 100 %	
		Salinity	0.0 ... 45.0 ‰	
		Measurement error ^{1,2,3}	< 1 % meas. val. + 0.4 $\mu\text{S} \cdot \text{cm}$	
Temperature input ^{*)}	Pt100/Pt1000:	-50 ... +250 °C (-58 ... +482 °F)		
	Ni100	-50 ... +180 °C (-58 ... +356 °F)		
	NTC 30 k Ω	-20 ... +150 °C (-4 ... +302 °F)		
	NTC 8.55 k Ω	-10 ... +130 °C (14 ... +266 °F)		
	Adjustment range	10 K		
	Resolution	0.1 °C (0.1 °F)		
Temperature compensation ^{*)}	Measurement error ^{1,2,3}	<0.5 K (<1 K with Pt100; <1 K with NTC >100°C)		
	(OFF)	Without		
	(LIN) Ref. temp specifiable	Linear characteristic 00.00 ... 19.99 %/K		
	(NLF) Reference temp 25 °C	Natural waters to EN 27888		
	(NaCl) Reference temp 25 °C	NaCl from 0 (ultrapure water) to 26% by wt		
	(HCl) Reference temp 25 °C	Ultrapure water with HCl traces (0 ... 120 °C)		
	(NH ₃) Reference temp 25 °C	Ultrapure water with NH ₃ traces (0... 120 °C)		
	(NaOH) Reference temp 25 °C	Ultrapure water with NaOH traces (0 ... 120 °C)		
	Concentration determination ^{*)}	-01- NaCl	0.00 ... 9.99 % by wt	(0 ... 100 °C)
		-02- HCl	0.00 ... 9.99 % by wt	(-20 ... 50 °C)
-03- NaOH		0.00 ... 9.99 % by wt	(0 ... 100 °C)	
-04- H ₂ SO ₄		0.00 ... 9.99 % by wt	(-17 ... 110 °C)	
-05- HNO ₃		0.00 ... 9.99 % by wt	(-17 ... 50 °C)	
USP <645> function	Water monitoring in the pharmaceutical industry (USP) with possibility to enter a limit value (%) Output via relay contact or HART			
Sensor standardization	<ul style="list-style-type: none"> - Input of cell constant with simultaneous display of conductivity/temp. - Input of cal. solution conductivity with simultaneous display of cell constant/temp. - Product calibration for conductivity - Temperature probe adjustment 			
	Permissible cell constant	0.0050 ... 19.9999/cm		

Specifications

Sensocheck	Polarization detection and monitoring of cable capacitance
	Delay Approx. 30 s
Sensoface	Provides information on the sensor condition
Sensor monitor	Direct display of measured values from sensor for validation (resistance/temperature)
Explosion protection (MK-COND025B)	Global: IECEx Zone 2, 22 Europe: ATEX Zone 2, 22

*) user-defined

1) according to EN 60746-1, at nominal operating conditions

2) ± 1 count

3) plus sensor error



MK-COND 025 N module (non-Ex)

MK-COND 025 B module (Ex)

Specifications	"Device Type" Condi	A402N + MK-CONDI 035N A402B + MK-CONDI 035B
Sensor input	Analog toroidal conductivity sensors	
Measuring ranges	Conductivity	0.000 ... 1999 mS/cm
	Concentration	0.00 ... 100.0 % by wt
	Salinity	0.0 ... 45.0 ‰ (0 ... 35 °C)
Measuring ranges	Conductivity	0.000 ... 9.999 mS/cm 00.00 ... 99.99 mS/cm 000.0 ... 999.9 mS/cm 0000 ... 1999 mS/cm 0.000 ... 9.999 S/m 00.00 ... 99.99 S/m
	Concentration	0.00 ... 9.99 % / 10.0 ... 100.0 %
	Salinity	0.0 ... 45.0 ‰ (0 ... 35 °C)
	Response (T90)	Approx. 1 s
	Measurement error ^{1,2,3}	< 1% meas. val. + 0.005 mS/cm
Temperature input ^{*)}	Pt 100/Pt 1000	-50 ... +250 °C (-58 ... +482 °F)
	NTC 30 kΩ	-20 ... +150 °C (-4 ... +302 °F)
	Adjustment range	10 K
	Resolution	0.1 °C (0.1 °F)
	Measurement error ^{1,2,3}	0.5 K (<1 K with Pt100; <1 K with NTC >100 °C)
Temperature compensation ^{*)}	(OFF)	Without
	(Lin)	Linear characteristic 00.00 to 19.99 %/K
	(NLF)	Natural waters to EN 27888
	(NaCl)	NaCl from 0 to 26 % by wt (0 ... 120 °C)
Concentration determination ^{*)}	-01- NaCl	0 - 26 % by wt (0 °C) ... 0 - 28% by wt (100 °C)
	-02- HCl	0 - 18 % by wt (-20 °C) ... 0 - 18% by wt (50 °C)
	-03- NaOH	0 - 13 % by wt (0 °C) ... 0 - 24% by wt (100 °C)
	-04- H ₂ SO ₄	0 - 26 % by wt (-17 °C) ... 0 - 37% by wt (110 °C)
	-05- HNO ₃	0 - 30 % by wt (-20 °C) ... 0 - 30% by wt (50 °C)
	-06- H ₂ SO ₄	94 - 99 % by wt (-17 °C) ... 89 - 99% by wt (115 °C)
	-07- HCl	22 - 39 % by wt (-20 °C) ... 22 - 39% by wt (50 °C)
	-08- HNO ₃	35 - 96 % by wt (-20 °C) ... 35 - 96% by wt (50 °C)
	-09- H ₂ SO ₄	28 - 88 % by wt (-17 °C) ... 39 - 88% by wt (115 °C)
	-10- NaOH	15 - 50 % by wt (0 °C) ... 35 - 50% by wt (100 °C)
Sensor standardization	<ul style="list-style-type: none"> - Input of cell factor with simultaneous display of conductivity/temperature - Input of cal. solution conductivity with simultaneous display of cell factor/temp. - Product calibration - Zero adjustment - Installation factor - Temperature probe adjustment 	
	Permissible cell factor	0.100 ... 19.999/cm
	Permissible transfer ratio	10.0 ... 199.9
	Permissible zero offset	±0.5 mS/cm
	Permissible installation factor	0.100 ... 5.000

Specifications

Sensocheck	Monitoring of primary and secondary coils and lines for open circuit and of primary coil and lines for short circuit
	Delay Approx. 30 s
Sensoface	Provides information on the sensor condition (zero point, cell factor, installation factor, Sensocheck)
Sensor monitor	Direct display of measured values from sensor for validation (resistance/temperature)
Explosion protection (MK-CONDI035B)	Global: IECEx Zone 2, 22 Europe: ATEX Zone 2, 22

*) user-defined

1) according to EN 60746-1, at nominal operating conditions

2) ± 1 count

3) plus sensor error



MK-CONDI 035 N module (non-Ex)

MK-CONDI 035 B module (Ex)

Specifications

Sensor input: pH measurement
Display range

pH sensor standardization
Operating modes*)

Calimatic buffer sets*)

Calibration timer*)

Sensocheck

Sensoface

Sensor monitor

pH/pH calculations*)

"Device Type" MSPH/MSPH

A 402N + MK-MS 095N

Digital Memosens sensors, 2nd channel

pH value -2.00 ... 16.00
Temperature -20.0 ... 200.0 °C (-4 ... +392 °F)
Measurement error See Memosens sensor specifications

pH calibration

AUTO Calibration with automatic buffer recognition (Calimatic)
MAN Manual calibration with entry of individual buffer values
DAT Data entry of pre-measured electrodes

Product calibration

-01- Mettler-Toledo 2.00/4.01/7.00/9.21
-02- Knick CaliMat 2.00/4.00/7.00/9.00/12.00
-03- Ciba (94) 2.06/4.00/7.00/10.00
-04- NIST technical 1.68/4.00/7.00/10.01/12.46
-05- NIST standard 1.679/4.006/6.865/9.180
-06- HACH 4.01/7.00/10.01
-07- WTW techn. buffers 2.00/4.01/7.00/10.00
-08- Hamilton 4.01/7.00/10.01/12.00
-09- Reagecon 2.00/4.00/7.00/9.00/12.00
-10- DIN 19267 1.09/4.65/6.79/9.23/12.75
-U1- User defined Specifiable buffer set with 2 buffer solutions

Max. calibration range Asymmetry potential ±60 mV
(±750 mV for Memosens ISFET)
Slope 80 ... 103 % (47.5 ... 61 mV/pH)

Interval 0 ... 9999 h

Automatic monitoring of glass electrode

Delay Approx. 30 s

Provides information on the sensor condition (can be switched off)

Evaluation of zero/slope, calibration interval, Sensocheck

Direct display of measured values from sensor for validation
(mV/temperature)

-C1- Difference pH A - pH B
-C2- Difference mV A - mV B
-C3- Difference Temp A - Temp B



MK-MS 095 N module (non-Ex)

2-Channel pH/Oxy Measurement, Digital

Specifications

Sensor input: Oxy measurement
 Sensor input: pH measurement
 See Pg 26
 Measuring ranges

Input correction^{*)}

Sensor standardization^{*)}

Calibration ranges

Calibration timer

Sensocheck

Sensoface

Sensor monitor

“Device Type” MSPH/MOXY

A 402N + MK-MS 095N

Digital Memosens sensors, 2nd channel

Operating modes GAS (measurement in gases)
 DO (measurement in liquids)

Standard sensors

Saturation (–10 ... 80°C) 0.0 ... 600.0 %
 Concentration (–10 ... 80°C) 0.00 ... 99.99 mg/l (ppm)
 Volume concentration in gas 0.00 ... 99.99 %vol

Trace sensors

Saturation (–10 ... 80°C) 0.000 ... 150.0 %
 Concentration (–10 ... 80°C) 0000 ... 9999 µg/l (ppb) / 10.00 ... 20.00 mg/l (ppm)
 Volume concentration in gas 0000 ... 9999 ppm / 1.000 ... 50.00 %vol

Measurement error See Memosens sensor specifications

Pressure correction^{*)} 0.000 ... 9.999 bars / 999.9 kPa / 145.0 PSI
 manually or through current input 0(4) ... 20 mA

Salinity correction^{*)} 0.0 ... 45.0 g/kg

CAL_AIR Automatic calibration in air
 CAL_WTR Automatic calibration in air-saturated water
 P_CAL Product calibration
 CAL_ZERO Zero calibration

Standard sensors

Zero point ± 2 nA
 Slope 25 ... 130 nA (at 25°C, 1013 mbars)

Trace sensors

Zero point ± 2 nA
 Slope 200 ... 550 nA (at 25°C, 1013 mbars)
 Interval 0000 ... 9999 h

Sensor failure, sensor cap missing

Delay Approx. 30 s

Provides information on the sensor condition (can be switched off)

Evaluation of zero/slope, response, calibration interval, wear, Sensocheck

Direct display of measured values from sensor for validation

^{*)} user-defined



MK-MS 095 N module (non-Ex)

Specifications

Sensor inputs

Display ranges

Temperature compensation*)
(reference temp 25°C)

Sensor standardization
Sensor A / Sensor B

Calculations (CALC)*)

Sensocheck

Sensoface

Sensor monitor

Temperature input A/B

"Device Type" CC

A 402N + MK-CC 065N

Two inputs for two analog 2-electrode sensors	
Measuring range	0 ... 30000 $\mu\text{S} \cdot \text{cm}$
Conductivity	0.000 ... 9.999 $\mu\text{S}/\text{cm}$ 00.00 ... 99.99 $\mu\text{S}/\text{cm}$ 000.0 ... 999.9 $\mu\text{S}/\text{cm}$ 0000 ... 9999 $\mu\text{S}/\text{cm}$
Resistivity	00.00 ... 99.99 $\text{M}\Omega \cdot \text{cm}$
Response (T90)	Approx. 1 s
Measurement error ^{1,2,3)}	< 1 % meas. val. + 0.4 $\mu\text{S} \cdot \text{cm}$
(OFF)	Without
(LIN)	Linear characteristic 00.00 ... 19.99 %/K
(NLF)	Natural waters to EN 27888
(NaCl)	Ultrapure water with NaCl traces up to 26 % by wt NaCl
(HCl)	Ultrapure water with HCl traces (0 ... 120 °C)
(NH ₃)	Ultrapure water with NH ₃ traces (0... 120 °C)
(NaOH)	Ultrapure water with NaOH traces (0 ... 120 °C)
Input of cell constant with simultaneous display of conductivity/temp.	
Permissible cell constant	0.0050 ... 1.9999 cm^{-1}
-C1-	Difference A-B [$\mu\text{S}/\text{cm}$]
-C2-	Ratio A/B 0.0 ... 19.99
-C3-	Passage B/A • 100 0.0 ... 199.9 %
-C4-	Rejection (A-B)/A • 100 -199.9 ... 199.9 %
-C5-	Deviation (B-A)/A • 100 -199.9 ... 199.9 %
-C6-	pH value acc. to VBG 450 [pH]
-C7-	Variable pH value, factors specifiable [pH]
-C8-	User spec (DAC Degased Acid Conductivity) [$\mu\text{S}/\text{cm}$]
Polarization detection and monitoring of cable capacitance	
Delay	Approx. 30 s
Provides information on the sensor condition, Sensocheck, flow monitoring	
Direct display of measured values from sensor for validation (resistance/temperature)	
Pt 1000	2-wire connection
Measuring range	-50 ... +200 °C (-58 ... +392 °F)
Resolution	0.1 °C (0.1 °F)
Measurement error ^{1,2,3)}	0.5 K (1 K > 100 °C)

*) user-defined

1) according to EN 60746-1, at nominal operating conditions

2) ± 1 count

3) plus sensor error



MK-CC 065 N module (non-Ex)

New England - ETA Process Instrumentation
119 Foster Street, Bldg #6
Peabody, MA 01960
Tel: (978) 532-1330
www.etapii.com
sales@etapii.com

Upstate NY - Martech Controls
2000 Teall Avenue
Syracuse, NY 13026
Tel: (315) 876-9120
www.martechcontrols.com
sales@martechcontrols.com

Easy installation

- Wall, post/pipe or panel mounting
- All parts are easily accessible
- Large terminal compartment
- Rear unit can be pre-installed
- Also suitable for rigid metallic conduits
- Replaceable screw terminals
- Replacing the electronics without new cabling

ZU 0274 pipe-mount kit

For mounting on vertical or horizontal posts or pipes.



ZU 0737 protective hood

Additional protection from direct weather exposure and mechanical damage.



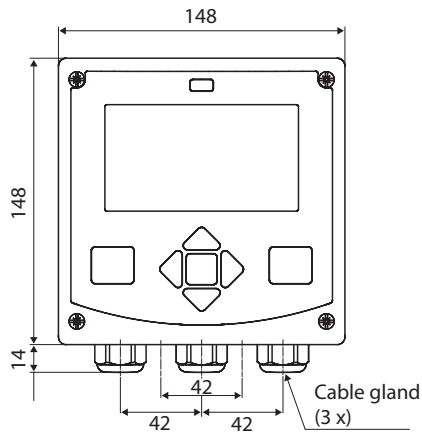
ZU 0738 panel-mount kit

For mounting in standardized panel cutout 138 x 138 mm (DIN 43700), sealed against panel.

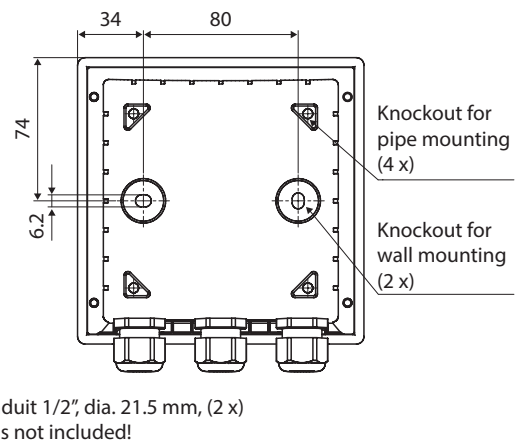


Dimension drawings

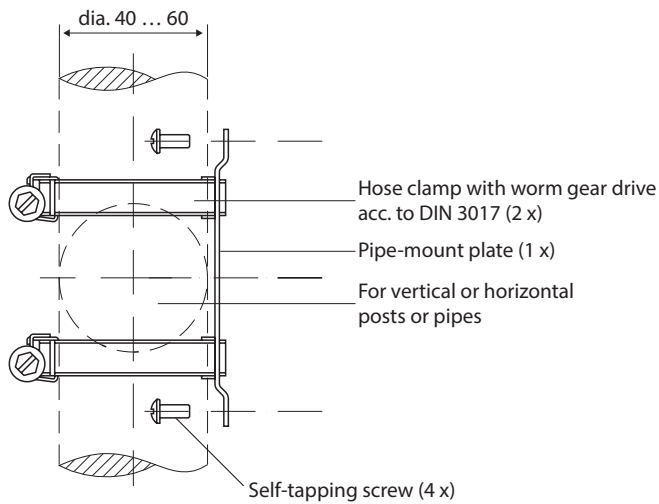
Front and side view



Rear side

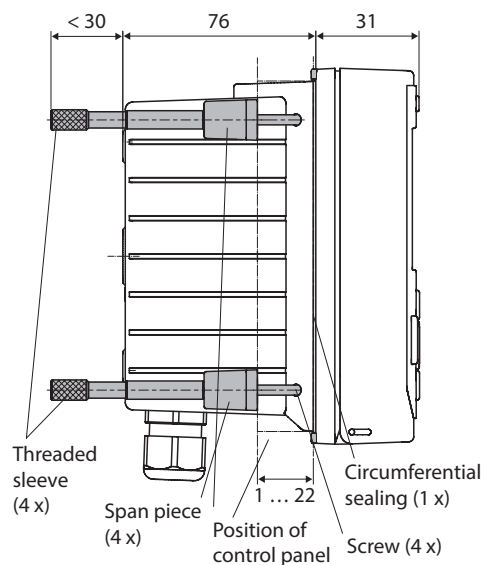


ZU 0274 pipe-mount kit

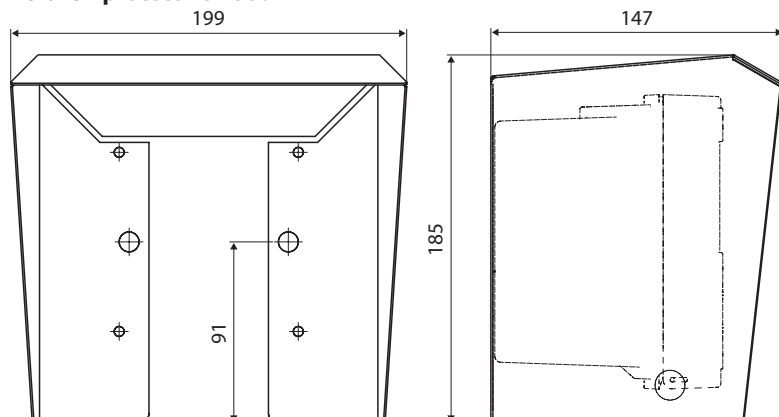


ZU 0738 panel-mount kit

Cutout 138 x 138 mm (DIN 43700)



ZU 0737 protective hood



All dimensions in mm