

Sensors for Conductivity Measurement



SE 600 Conductivity Sensor

**4-electrode sensor for high-pressure and high-temperature applications;
large measuring range from pure water up to high conductivities**

For special chemistry applications up to 210 °C and 25 bar. Universal measuring range from pure water to 600 mS/cm. With fixed cable and integrated temperature detector.

Facts

- Large measuring range due to 4-electrode technology
- Measurement at high temperatures and pressures
- Slim, ultracompact design
1 inch (25 mm) diameter

Applications

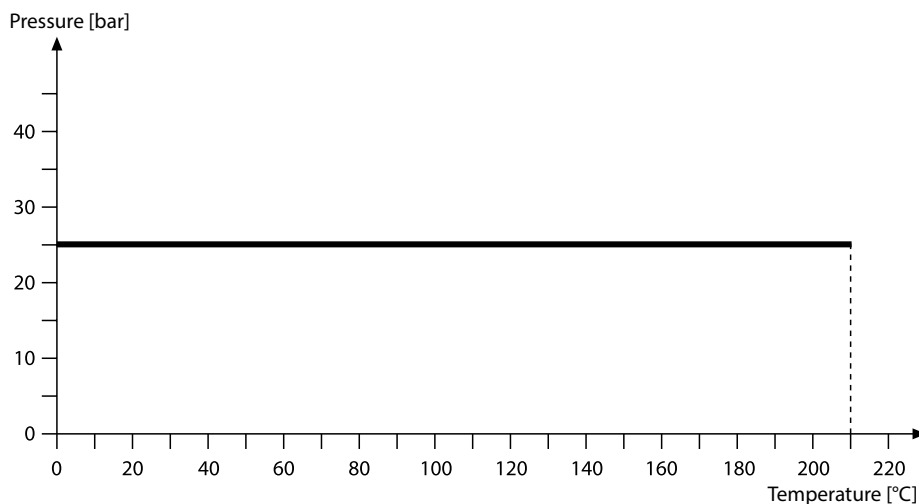
Special chemical processes, heavily polluted and fibrous media, pulp production

Specifications

Cell constant ^{*)} :	0.14 cm ... 0.38 cm (exact value printed on rating plate)
Measuring range:	Approx. 0.5 μ S/cm ... 600 mS/cm
Material:	Body: PTFE / stainless steel AISI 316 L Electrodes: stainless steel AISI 316 L
Temperature detector:	Pt 1000 (IEC Class A)
Temperature:	Max. 410 °F (210 °C)
Pressure:	Max. 363 psi (25 bar)
Process connection:	1" weld nipple (see accessories)
Cable:	Fixed cable, 5 m

^{*)} Observe instructions for use (field conditions)

Pressure/Temperature Diagram

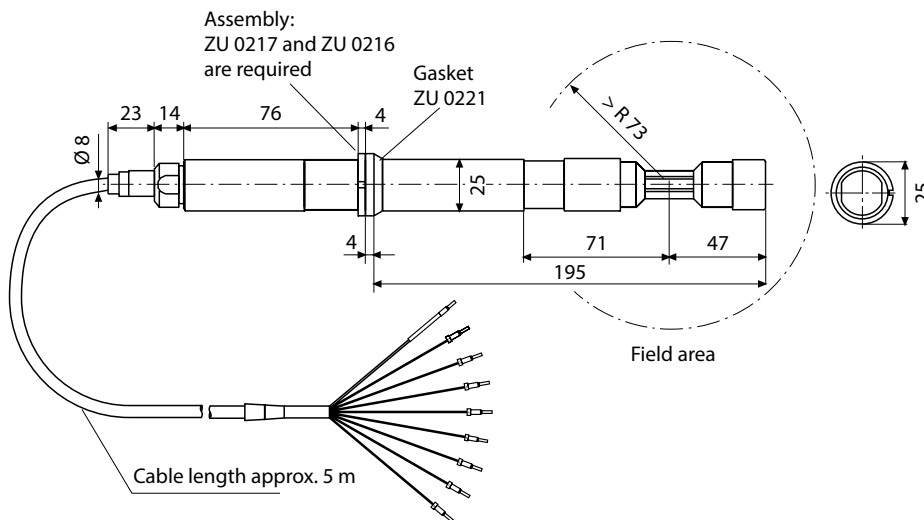


New England - ETA Process Instrumentation
 119 Foster Street, Bldg #6
 Peabody, MA 01960
 Tel: (978) 532-1330
 www.etapii.com
 sales@etapii.com

Upstate NY - Martech Controls
 2000 Teall Avenue
 Syracuse, NY 13026
 Tel: (315) 876-9120
 www.martechcontrols.com
 sales@martechcontrols.com

Product Range		Order No.
SE 600 conductivity sensor	1" NPT or G 1"	SE 600
Accessories		Order No.
Screw for ZU 0217		ZU 0216
Weld nipple for ZU 0216		ZU 0217
Gasket (spare part)		ZU 0221
Coupling nut		ZU 0222
Conductivity standard	KCl 0.1 mol/l 12.88 mS/cm ± 1.5 % 250 ml	ZU 0348
Calibration Certificate		ZU 0320

Dimensional Drawing



Sensors for Conductivity Measurement

SE 600 Conductivity Sensor

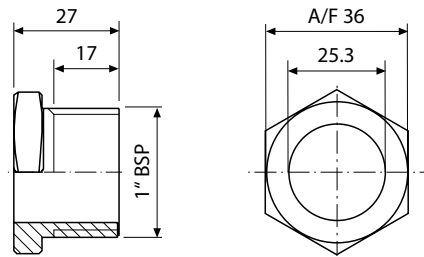
Accessories / Specifications

ZU 0216 screw



Material: 316 L
 Process connection: 1" BSP for ZU 0217
 Temperature: Max. 210 °C
 Pressure: Max. 40 bar

Dimensional drawing:

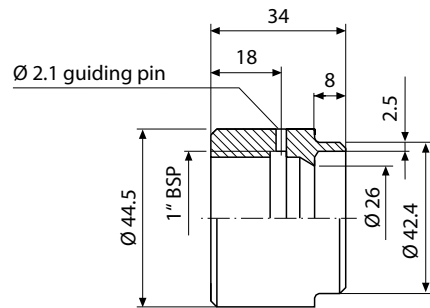


ZU 0217 weld nipple



Material: AISI 316 L
 Process connection: Weld nipple
 Temperature: Max. 210 °C
 Pressure: Max. 40 bar

Dimensional drawing:

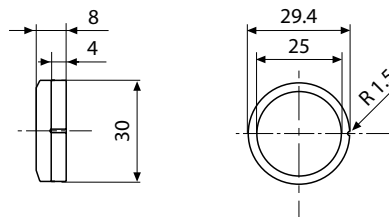


ZU 0221 gasket (spare part)



Material: PTFE

Dimensional drawing:

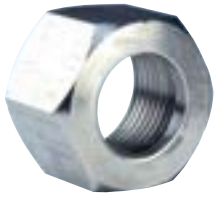


All dimensions in mm

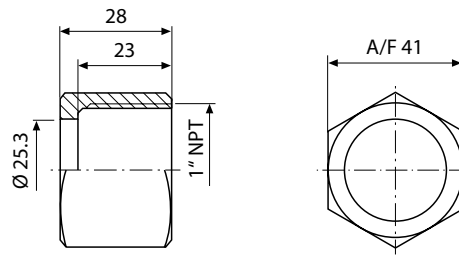
Accessories / Specifications (continued)

Coupling nut for mounting on threaded coupling, ZU 0222

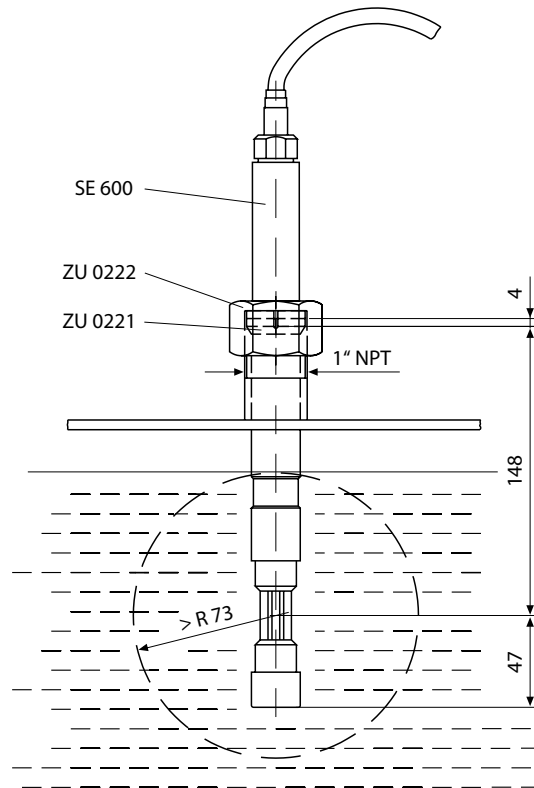
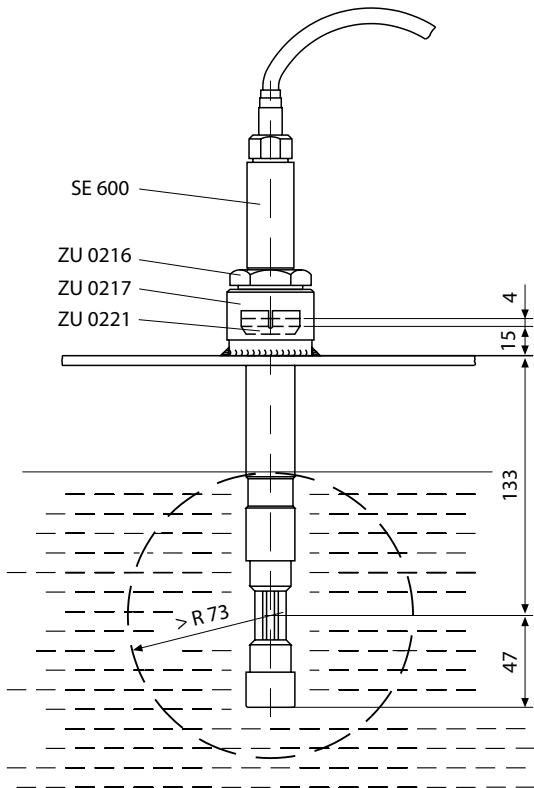
Material: AISI 316 L
 Dimensions: 1" NPT
 Temperature: Max. 210 °C
 Pressure: Max. 40 bar



Dimensional drawing:



Typical Assemblies



New England - ETA Process Instrumentation
 119 Foster Street, Bldg #6
 Peabody, MA 01960
 Tel: (978) 532-1330
 www.etapii.com
 sales@etapii.com

Upstate NY - Martech Controls
 2000 Teall Avenue
 Syracuse, NY 13026
 Tel: (315) 876-9120
 www.martechcontrols.com
 sales@martechcontrols.com